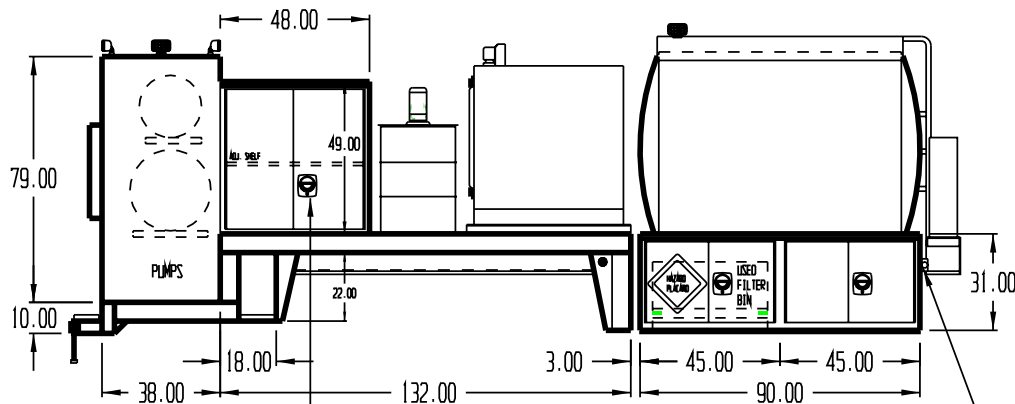


APPROVED BY: _____

DATE: _____

PAINT CODE: _____

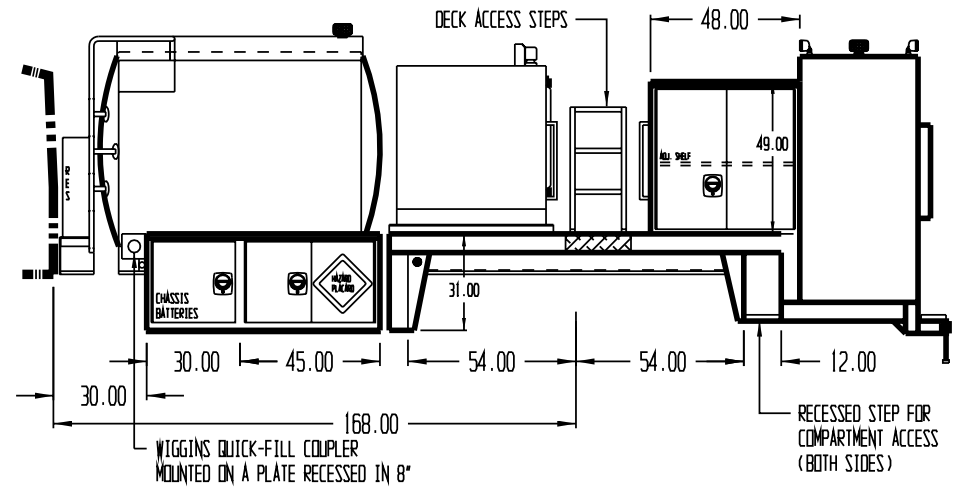
N0006EA WHITE ELITE SS



INSTALL DOOR LATCH 8" BELOW CENTER FOR CUSTOMER ACCESS (BOTH SIDES)

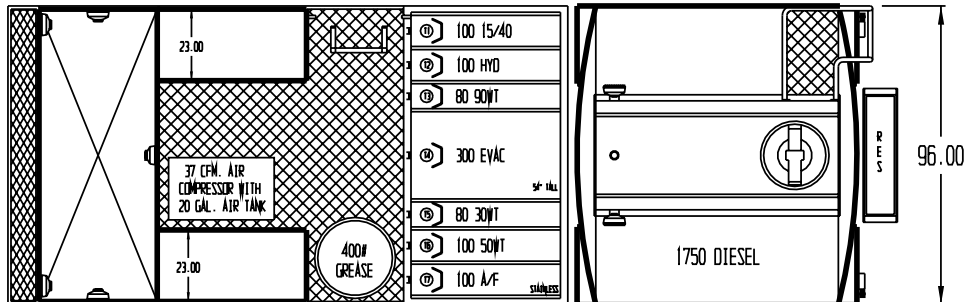
NOTE: USED FILTER BIN IS TO BE PLUMBED INTO THE EVAC SYSTEM

EMERGENCY SHUT-OFF FUEL VALVE (BOTH SIDES)
CONTROL VALVE IN REEL COMPARTMENT



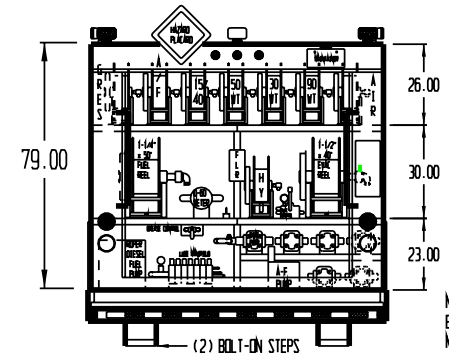
WIGGINS QUICK-FILL COUPLER MOUNTED ON A PLATE RECESSED IN 8"

RECESSED STEP FOR COMPARTMENT ACCESS (BOTH SIDES)



NOTE: PROTECTIVE SPRAY COVERING APPLIED TO:
1) ABOVE-BODY COMPARTMENT FRONTS, TOPS & SIDES
2) REEL COMPT. FRONT, TOP AND INTERIOR
3) DECK PLATFORM AREA & STEPS

NOTE: (4) INTERIOR STRIP LIGHTS
2- (36") IN REAR REEL COMPARTMENT
2- (36") 1 EA. IN ABOVE DECK COMPTS



NOTE: 20 LB. FIRE EXTINGUISHER MOUNTED IN REEL COMPARTMENT

NOTE: REEL COMPARTMENT EQUIPPED WITH ROLL-UP DOOR

REV.	DESCRIPTION	DATE	APPROVED	ITEM	REQ'D	PART NUMBER	DESCRIPTION
	REVISIONS						
THIS PRINT CONTAINS CONFIDENTIAL INFORMATION AND IS THE SOLE PROPERTY OF MAINTAINER CORPORATION OF IOWA, INC. AND IS NOT TO BE COPIED OR REPRODUCED WITHOUT THE WRITTEN EXPRESSED PERMISSION OF MAINTAINER CORPORATION OF IOWA, INC.				PROPRIETARY DATA PROPERTY OF MAINTAINER CORPORATION OF IOWA, INC.			
				COPYRIGHT © 2002			
				MADE IN USA			
				MATERIAL:		 Corporation of Iowa, Inc. Hwy 60 South Sheldon, Iowa 51201	
				SCALE: N/A		SIZE: B	
				DRAWING NUMBER: Z126-2		DFTM. STZ DATE: 1/18/08	
				2-TON LUBE MAINTAINER TANDEM DEMO			